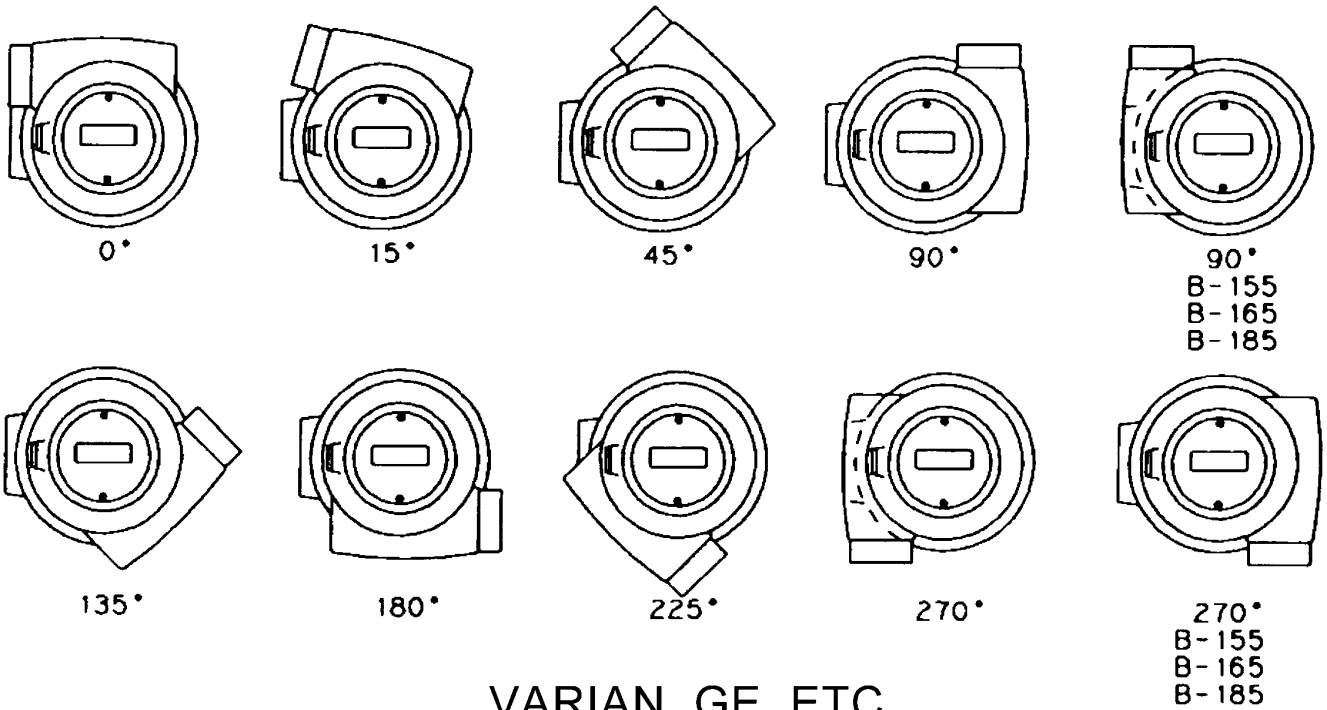


HOUSING HORN ANGLES

VIEWED FROM ANODE END



VARIAN, GE, ETC.

CGR STATORIX VIEWED FROM ANODE END

